

Product Guide

IMAGE-LED Lighting System

DUARA

CODE : DU-14003~6



CELL INTERNATIONAL www.zcell.kr

304-1 Ohyang-Ri Silchon-Eup Gwangju-Si Gyeonggi-Do 464-875 Korea, Tel 031-764-8442, Fax 031-764-8443 Email cell@zcell.kr



DUARA is round type of pixel that can be applied especially to large scale of building facade adjusting the distance between DUARAs upon required resolution and budget.

The view of facade would be like as a big screen composed of dots.

The diameter 170mm is developed specially to get maximum effects even if long distanced view.

That is the why of excellent application for lofty tower and long bridge, too.

has the soft frost diffuser that permits fine pastel color tone of lighting and cut off strong light dazzles.

The base of DUARA has been made from techno-polymer and the body made by die-cast aluminum enable in any coloring to present some artful images also in the daytime.

1. MODEL

IMAGE-LED FIXTURE

- DU-14003 DUARA RGB
- DU-14004 DUARA Cool White
- DU-14005 DUARA Warm White
- DU-14006 DUARA Blue

ACCESSORIES

- DU-25011 DUARA BRACKET

CONTROL SYSTEM

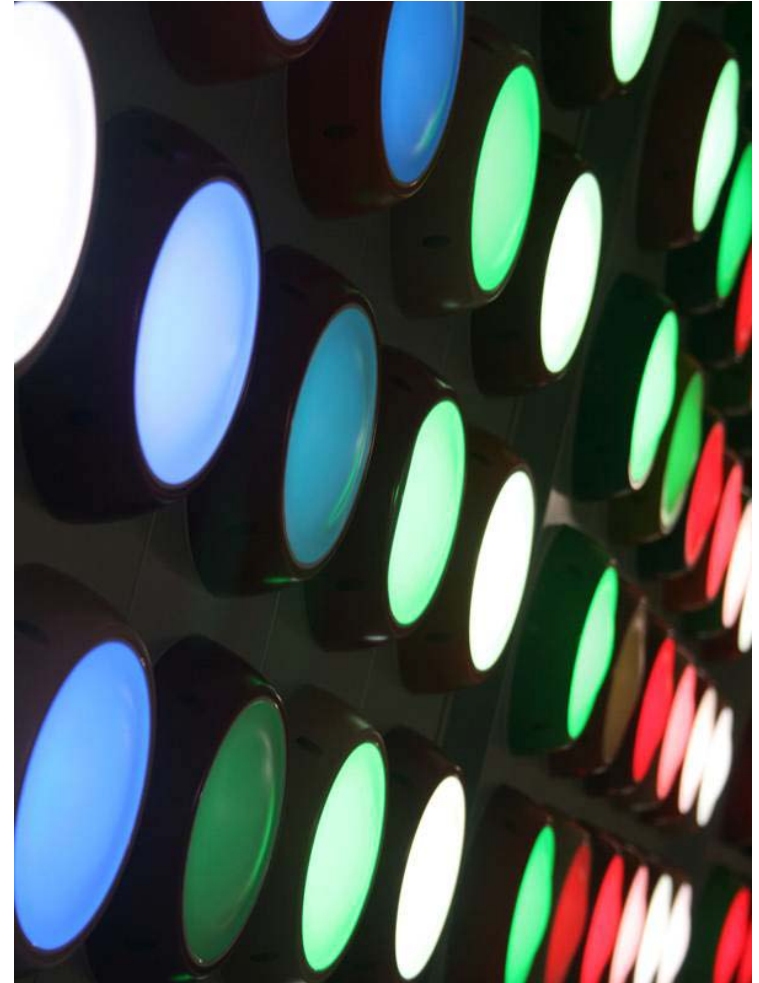
- CT-15021 Z-SUB CONTROL
- CT-15022 Z-PROCESSOR
- CT-15023 Z-WORKS

2. SPECIFICATIONS

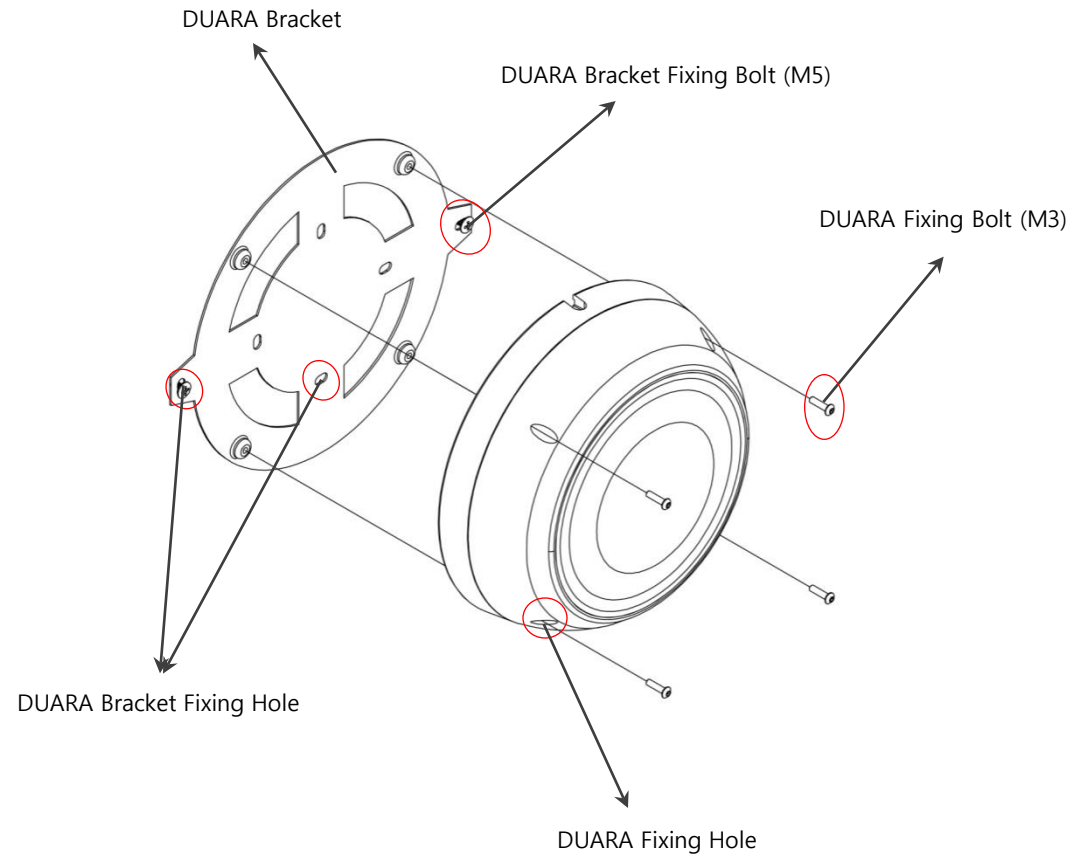
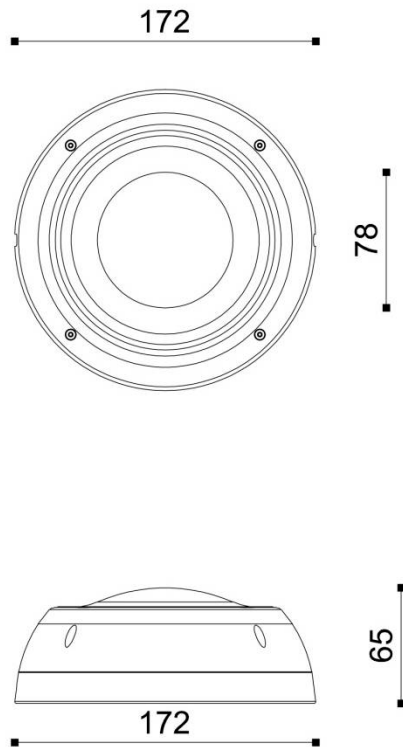
- Frost diffuser anti-light dazzling
- No need to feed the addresses of control by automatic system of communication
- Connection between units by just one line of cable (Daisy Chain)
- Creation of artful letters, pictures and moving images through control system
- IP65 for DUARA body and Power Box

3. TECHNICAL DATA

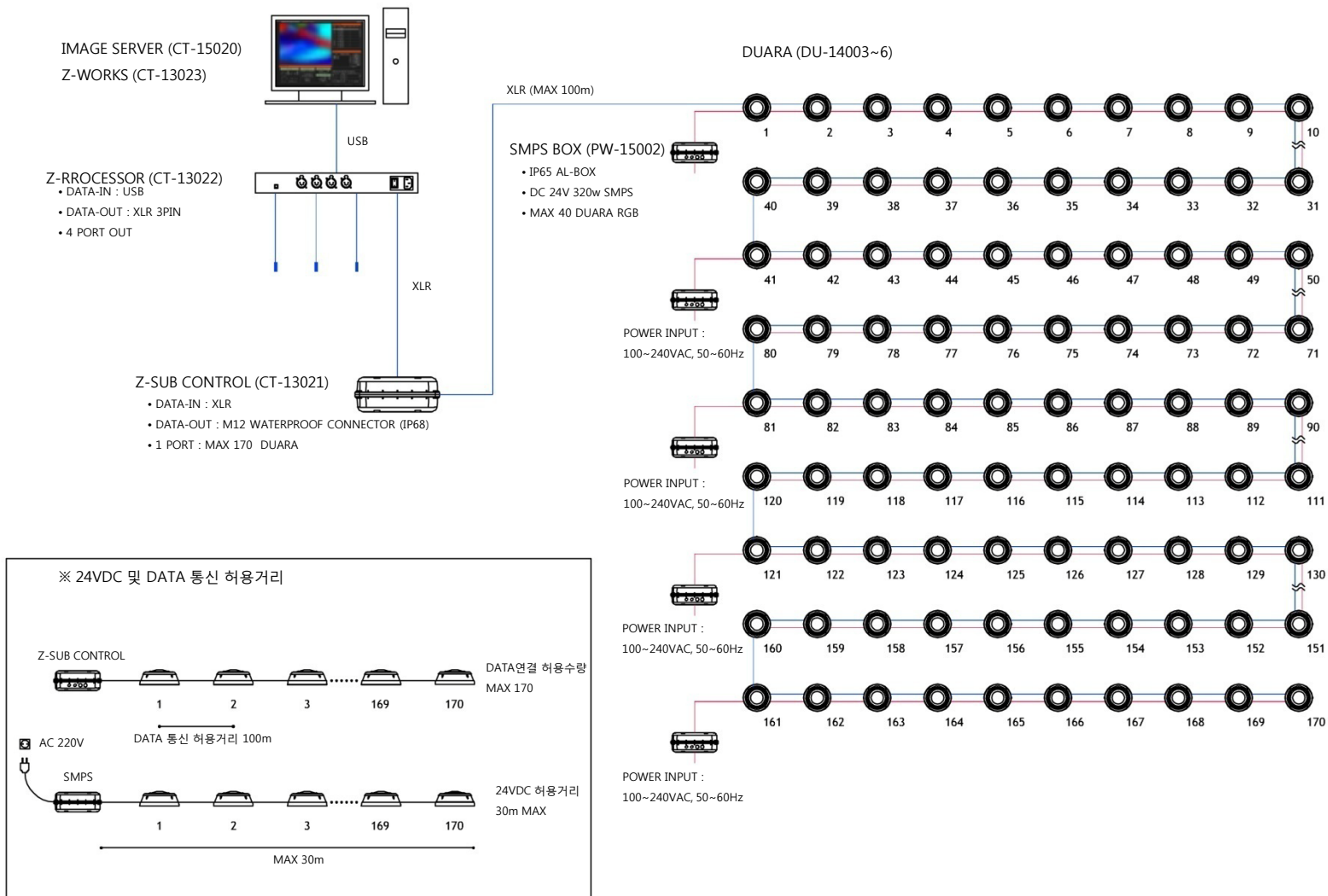
- PRODUCT CODES : DU-14003~6
- MATERIAL : Aluminum Die-casting Body
Hot stabilized techno-polymer body with opal matt acryl cover
- DIMENSIONS : 172m x 172mm x 65mm
- WEIGHT : 740g
- PROTECTION CLASS : IP65, Class I
- OPERATING TEMPERATURE : -20°C~65°C
- POWER SUPPLY : 24VDC
- POWER CONSUMPTION : 9W Max
- LED : RGB 3in1 SMD 21LED
- VIEW ANGLE : 140°x140°
- CONTROL : IMAGE-LED Protocol



4. DRAWING & MOUNTING DIAGRAM



5. WIRING DIAGRAM



※ EXAMPLE - DUARA 210set

